



HUNT
FOREST
GROUP



ROAD LEGAL

SALES | PARTS | SERVICE



THE FUTURE OF UTILITY VEHICLES

Club Car drives transformation in the UTV industry by manufacturing the best electric utility Vehicles in today's European market.

Club Car Urban models are a masterclass in form, function, safety, and toughness, all wrapped in an attractive package.

KEY FEATURES

- Crash tested
- Reliable and ergonomic
- Road legal
- Narrow Spaces



HANDLE THE TASK AT HAND

Embrace comfort for long days on the road by driving a compact design with agile handling to navigate tight spaces while carrying a payload of up to 1000 kg.



100% Electric



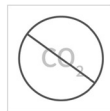
Road Legal



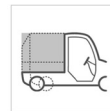
Low Operation Cost



Crash Tested



No Emission



Custom Configurations



Narrow Spaces



Lithium Batteries



PRODUCT SPECIFICATION



URBAN *XR*

LWB Width 1731 mm Length 3633 mm
48V Motor, 8 kW (10.7 Hp) Output
Non Road Legal

KEY FEATURES

100% Electric
Lead Acid 8x6V or Lithium Battery
Crash tested
Top speed 30 km/h
Range up to 200 km
Built in charger
3-point seatbelts
Reverse buzzer
All season tires
DAB Bluetooth Stereo
Webasto Cab Heater
Automatic parking brake

IDEAL FOR

PARK & COUNCIL
FACILITY MANAGEMENT
LEISURE & OUTDOORS

URBAN *L7e*

LWB Width 1731 mm Length 3633 mm
48V Motor, 8 kW (10.7 Hp) Output
Road legal (L7e)

KEY FEATURES

100% Electric
Payload up to 1000 kg
Crash tested
Top speed 45 km/h
Range up to 200 km
Custom Configurations
Low Operation Cost
DAB Bluetooth Stereo
Webasto Cab Heater
McPherson front suspension
Automatic parking brake
Road legal front and rear lights

IDEAL FOR

PARK & COUNCIL
FACILITY MANAGEMENT
LEISURE & OUTDOORS
LAST MILE DELIVERIES

URBAN *N1*

LWB Width 1731 mm Length 3633 mm
SWB Width 1731 mm Length 3272 mm
Road legal (N1)

KEY FEATURES

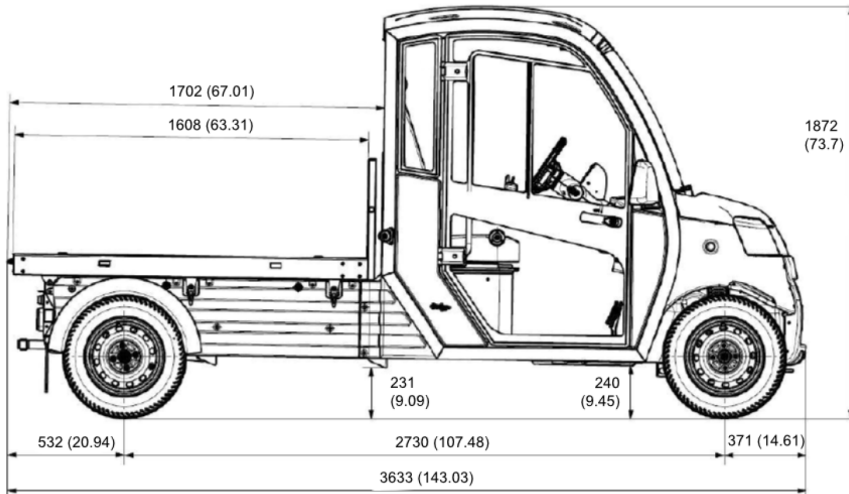
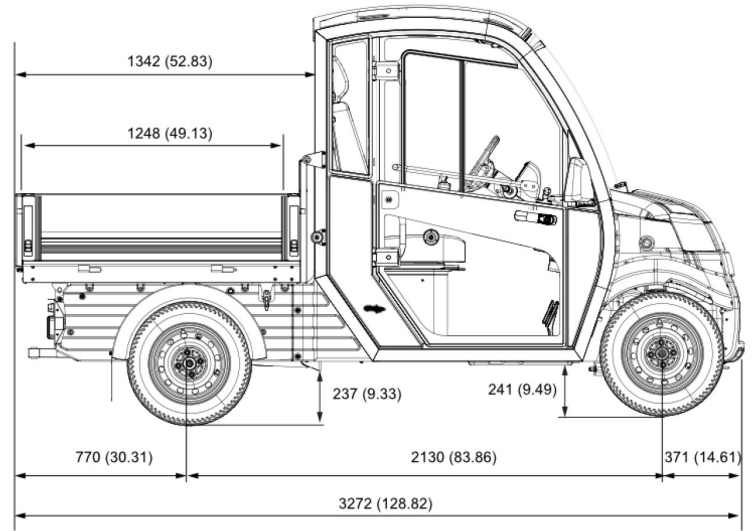
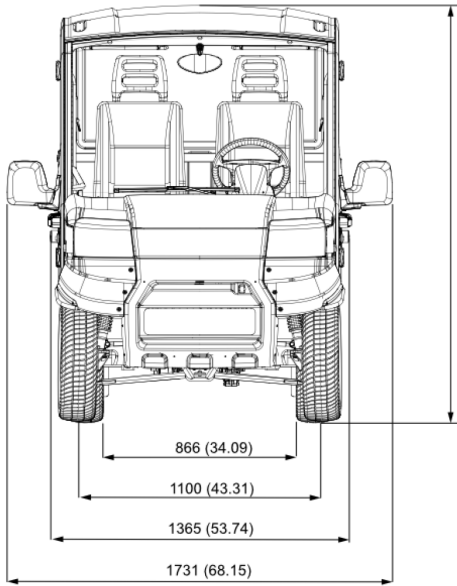
100% Electric
Turning radius from 3.4 m
Payload Short 500 kg, Long 1000 kg
Narrow Spaces
Top speed 55 km/h
WLTP Range 73 km / 45 miles
Custom Configurations
Low Operation Cost
DAB Bluetooth Stereo
Webasto Cab Heater
McPherson front suspension
Automatic parking brake
Road legal front and rear lights

IDEAL FOR

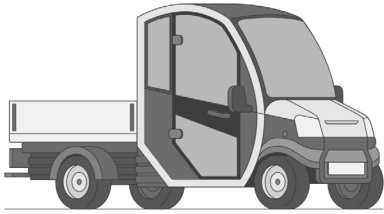
PARK & COUNCIL
FACILITY MANAGEMENT
LAST MILE DELIVERIES

PRODUCT DIMENSIONS

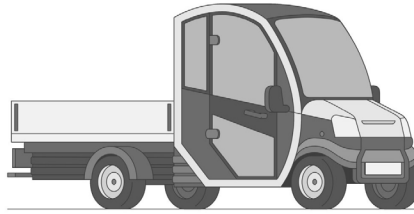
All Club Car electric utility vehicles are available with short and extended chassis. Find the dimensions here:



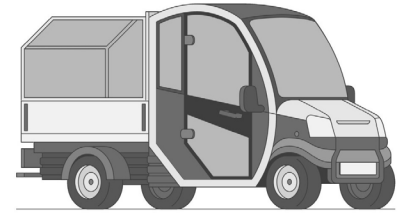
SHORT WHEEL BASE (S) CHASSIS



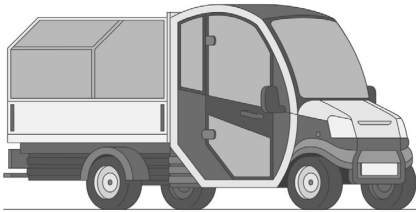
1.25m pickup bed with removable drop sides



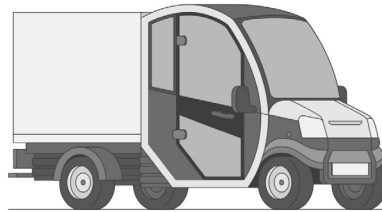
1.6m pickup bed with removable drop sides



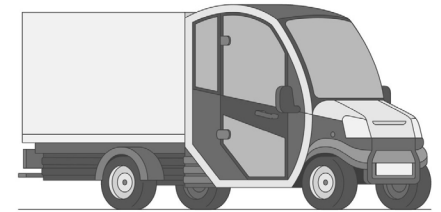
Mesh cage for 1.25m pickup bed



Mesh cage for 1.6m pickup bed

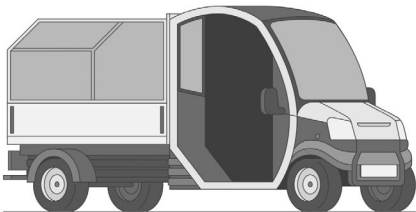


1,6 m³ closed van box

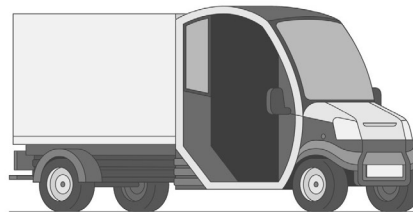


2,1 m³ closed van box

LONG WHEEL BASE (L) CHASSIS



Mesh cage for 1.6 m pickup bed



2.1 m³ closed van box



OVER 60 YEARS OF EXPERIENCE

With over 60 years of experience in innovation and design acquired by producing small-wheel vehicles, Club Car is a leading manufacturer of gas and electric golf, utility, and personal transportation vehicles.

Founded in 1958, the Club Car product portfolio has grown to include much more than golf cars, now encompassing vehicles for commercial and consumer markets, built with an uncompromised desire for superior performance. As an industry leader in electrification and sustainability, Club Car is proud to be at the forefront of environmentally responsible Zero Emission Vehicle (ZEV) technologies.

"Club Car Urban" is the first vehicle produced by Garia Utility and Club Car together, being the result of new design possibilities brought by Garia, such as Scandinavian craftsmanship and high-quality European components.



Club Car Urban Utility Vehicles have already been utilised by some of the biggest brands in the world.

SERVICE & MAINTENANCE

At Hunt Forest Group all our branches offer a wide range of services, tailored to meet our customers' needs. In an industry with ever-changing legislation, we endeavour to meet customer expectations by offering a comprehensive range of services to cater to all requirements.

After an initial investment in a quality piece of machinery, it's important to maintain a high standard of regular servicing to reduce the risk of breakdowns and allow for optimised uptime. We can offer an array of Maintenance and Service plans to ensure your fleet is performing at its best whilst spreading maintenance costs and safeguarding long & short-term machinery investments.



Club Car®

ORIGINAL CLUB CAR PARTS

The best way to maintain your vehicle – and maximize its value – is through Genuine Club Car Parts, Accessories & Service, all of which are precision-crafted to our strict specifications for quality.

Contact your nearest Hunt Forest Group branch to ensure the highest quality parts and service you can count on.



FLEXIBLE FINANCE OPTIONS

Hunt Forest Group make purchasing your new equipment quick and easy. Our aim is to provide you with flexible yet straightforward financing options that take the uncertainty out of your purchase.

We offer a variety of finance options from trusted finance providers. Contact us today so our finance department can tailor your package to suit your business and cash flow requirements.



RELIABLE. EFFICIENT. COMFORTABLE. CONNECTED.

Hunt Forest Group are proud to distribute Club Car in the UK hold a wide range of stock of battery-powered Passenger, Golf, Urban and Carryall ranges. Visit us in branch for more details.

As an official Club Car dealer we know the ins and outs of what our customers need, and are happy to help.

Contact us today to:

- Test drive a vehicle.
- Schedule authorized service and maintenance.
- Make a purchase.
- Find genuine parts and accessories.



HUNT FOREST GROUP

www.huntforest.com

info@huntforest.com

YOUR LOCAL HUNT FOREST GROUP BRANCH

BLASHFORD 01425 472 572 • CHEDDAR 01934 741 166 • CHILBOLTON 01264 860 532 • DORCHESTER 01300 348 881 • ISLE OF WIGHT 01983 721 426
NETHER STOWEY 01278 733 603 • SPARKFORD 01935 318 810 • TILSHEAD 01980 621 114